

Roof view

VELUX transverse drainage gutter and VELUX transverse drainage gutter clip (Part of **VELUX BFX** set)

Top part of **VELUX EDJ** Flashings - Recessed installation in tiles up to 90mm in profile

VELUX SML external roller shutter

Tile to be chamfered

Bottom part of **VELUX EDJ** Flashings - Recessed installation in tiles up to 90mm in profile

Counter-batten
Felt/breather membrane

Insulation frame for recessed installation

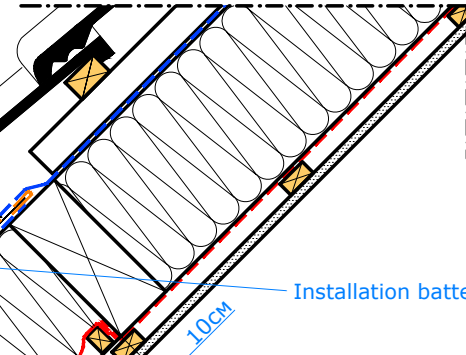
Roof vapour barrier

Felt/breather membrane

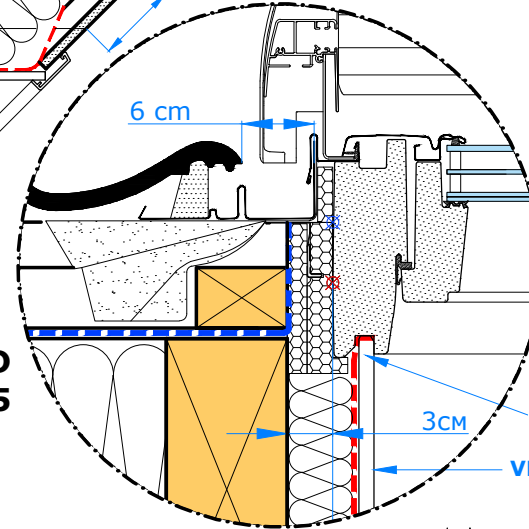
Rafter

Roof vapour barrier

Vapor-tight joint with **VELUX B BX** tape

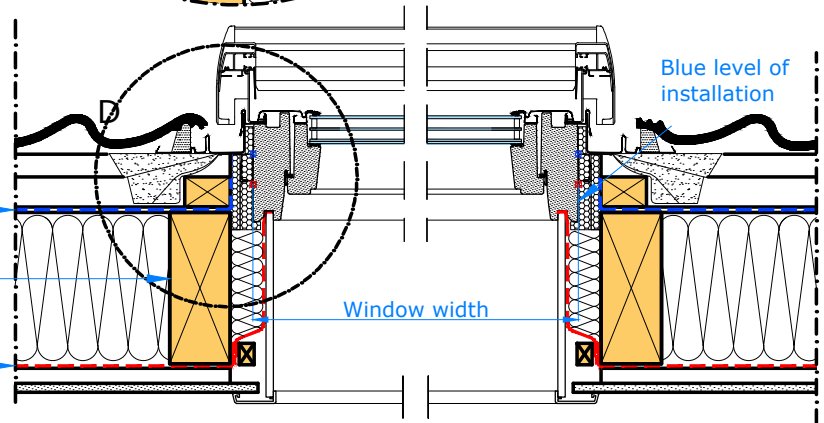


Installation batten



Detail D M5







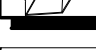
Gasket on **BBX** in window rebate
VELUX Lining LS-



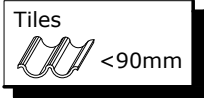
Section B-B / M10

Blue level of installation

VELUX Products

-  **GGU**
15°-90°
-  **EDJ**
20°-90°
-  **BFX**
-  **BDX**
-  **BBX**
-  **LS-**
-  **SML**

Section A-A M10
1/1



Detail C M5

