

**Roof view**

VELUX transverse drainage gutter and VELUX transverse drainage gutter clip (Part of VELUX BFX set)

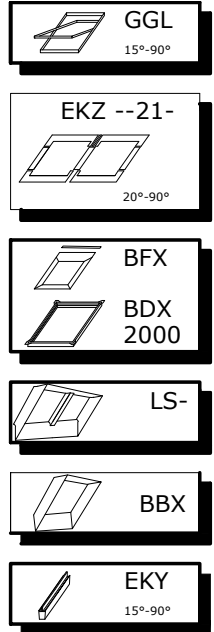
VELUX BFX Underfelt Collar with transverse drainage gutter

Top part of VELUX EKZ Flashings - aluminum flashing for tiles up to 45mm in profile

Roof vapour barrier

Top and bottom window fixing, installation brackets mounted to battens forming opening

**VELUX products**



**VELUX SSL**  
External solar roller shutter

**VELUX EKZ** Quatro slate flashing 100mm gap, for roof coverings with up to 45mm profile height

**VELUX EKY**  
Roof window 10cm frame gap support trimmer

Height L

10cm  
max. 75cm

To avoid snow and ice damage from standing water at the top part of the window (between roller shutter and roof covering) - follow the current building standards and local regulations!

**VELUX BBX** Vapour barrier

Prefab interior lining **VELUX LS-**

Gasket on **BBX** in window rebate

**VELUX BDX** Insulation frame

Interior lining **VELUX LS-**

Felt/breather membrane

Battens  
Counter battens  
Felt/breather membrane  
Trimmer where necessary  
Thermal insulation

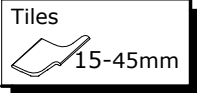
**VELUX BFX** Underfelt Collar

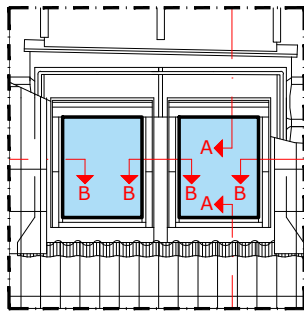
Vapor-tight joint with **VELUX BBX** tape and a fixing batten

**Detail A**  
M5

**Detail C**  
M5

**Section A-A**  
**M10**  
**1/2**

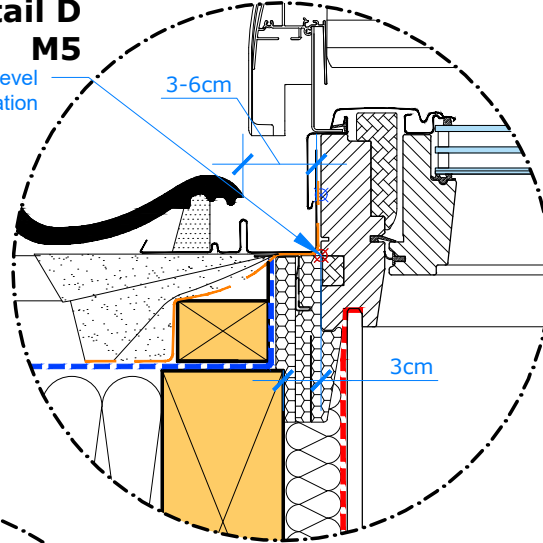




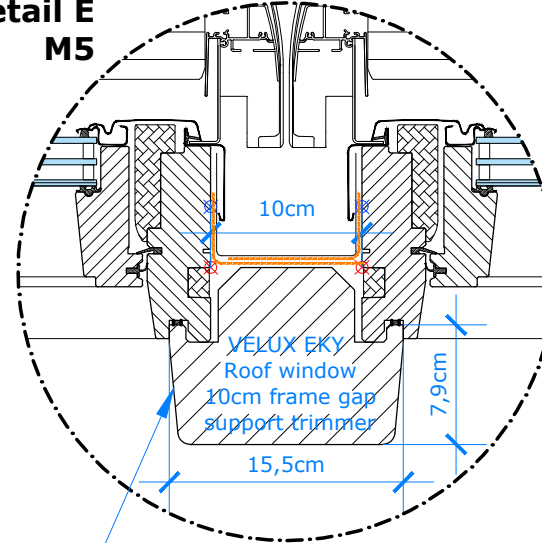
Roof view

Detail D  
M5

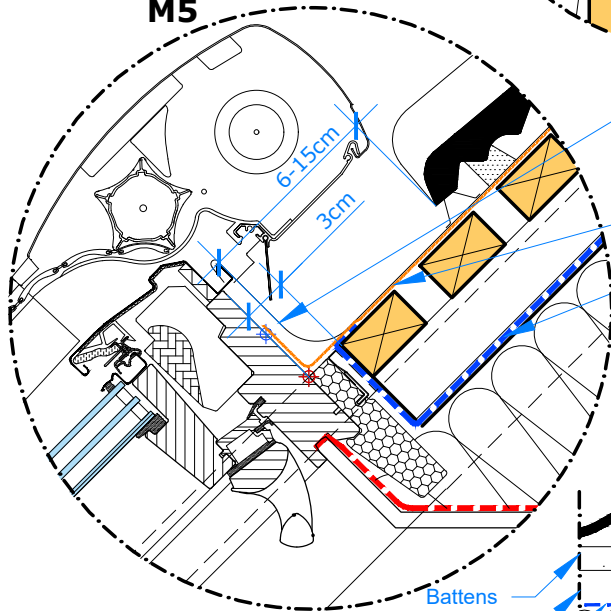
Red level  
of installation



Detail E  
M5



Detail B  
M5



VELUX EKZ Quatro slate flashing  
100mm gap, for roof coverings with up  
to 45mm profile height

VELUX BFX Underfelt collar

Felt/breather membrane

VELUX EKY support trimmer, top part is  
formed to fit the windows rebate for 10cm  
between windows frames

VELUX EKZ Quatro slate flashing  
100mm gap, for  
roof coverings with up to  
45mm profile height

Battens

Counter battens

Felt/breather membrane

Rafter / trimmer

Thermal insulation

Roof vapour barrier

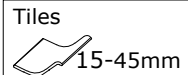
Interior lining,  
for example gypsum board

Width B

Prefab interior lining VELUX LS-

Gap frame cover  
VELUX LL-

2/2



|  |                      |
|--|----------------------|
|  | GGL<br>15°-90°       |
|  | EKZ --21-<br>20°-90° |
|  | BFX                  |
|  | BDX<br>2000          |
|  | LS-                  |
|  | BBX                  |
|  | EKY<br>15°-90°       |

VELUX Products

Section B-B / M10

