

Roof view

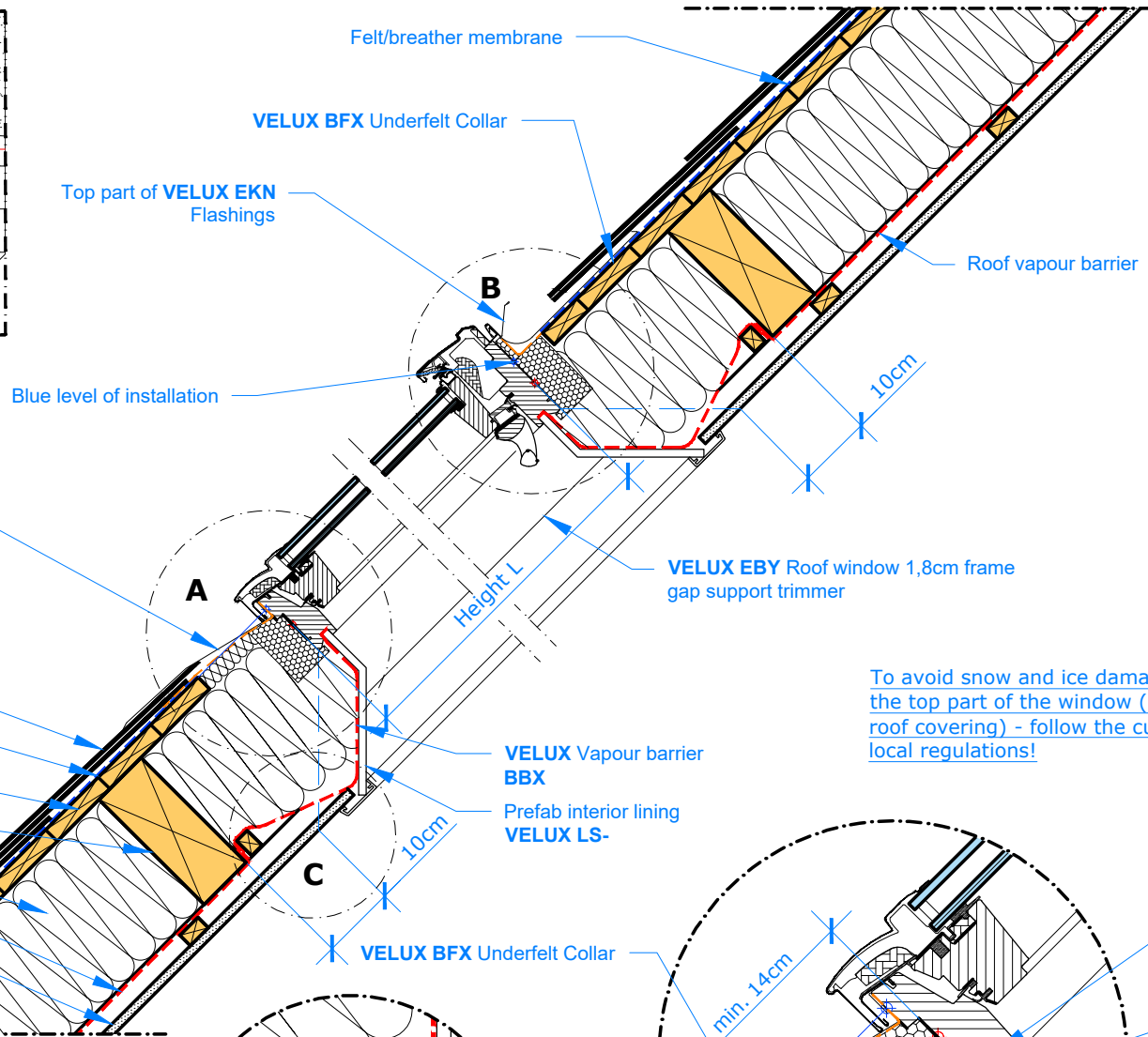
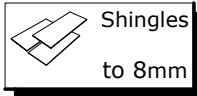
VELUX EKN coupled recessed slate flashing for roof coverings with a profile height up to 8mm

- Shingle
- Felt/breather membrane
- Wooden scheating
- Trimmer where necessary
- Thermal insulation
- Roof vapour barrier
- Interior lining, for example gypsum-board

**Section A-A
M5**

Vapor-tight joint with **VELUX BBX** tape and a fixing batten

1/2



**Detail C
M5**

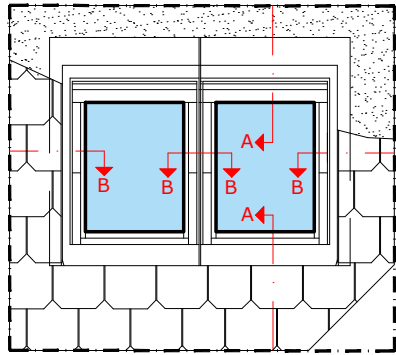
**Detail A
M5**

To avoid snow and ice damage from standing water at the top part of the window (between roller shutter and roof covering) - follow the current building standards and local regulations!

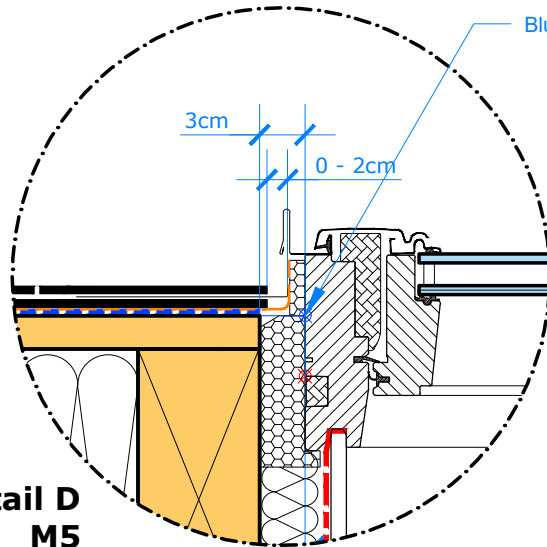
VELUX Products

	GGL 15°-90°
	EKN 20°-90°
	BFX
	BDX
	LS-
	BBX
	EBY 15°-90°

VELUX

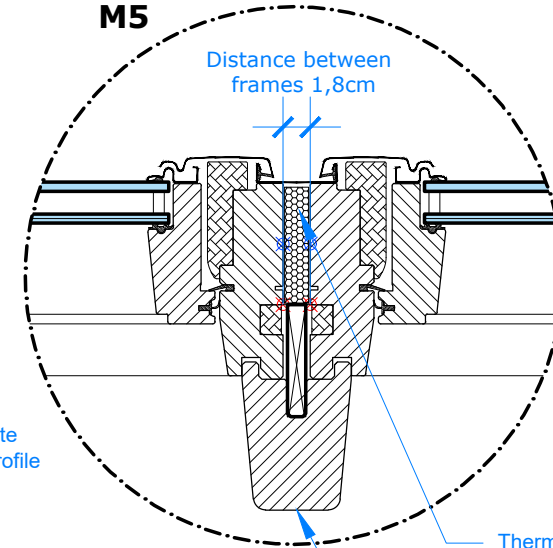


Roof view



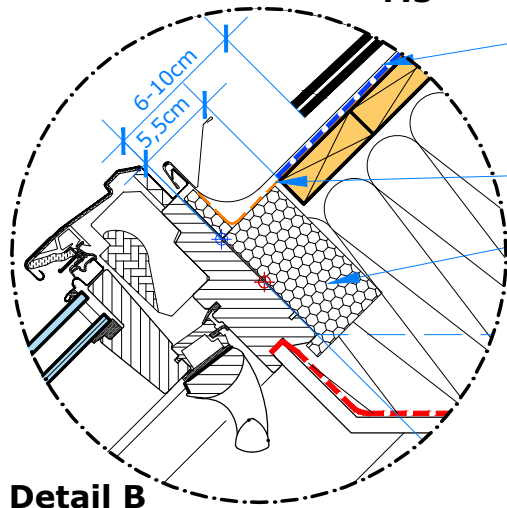
**Detail D
M5**

**Detail E
M5**



VELUX Products

	GGL 15°-90°
	EKN 20°-90°
	BFX
	BDX
	LS-
	BBX
	EBY 15°-90°



**Detail B
M5**

VELUX EKN coupled recessed slate flashing for roof coverings with a profile height up to 8mm

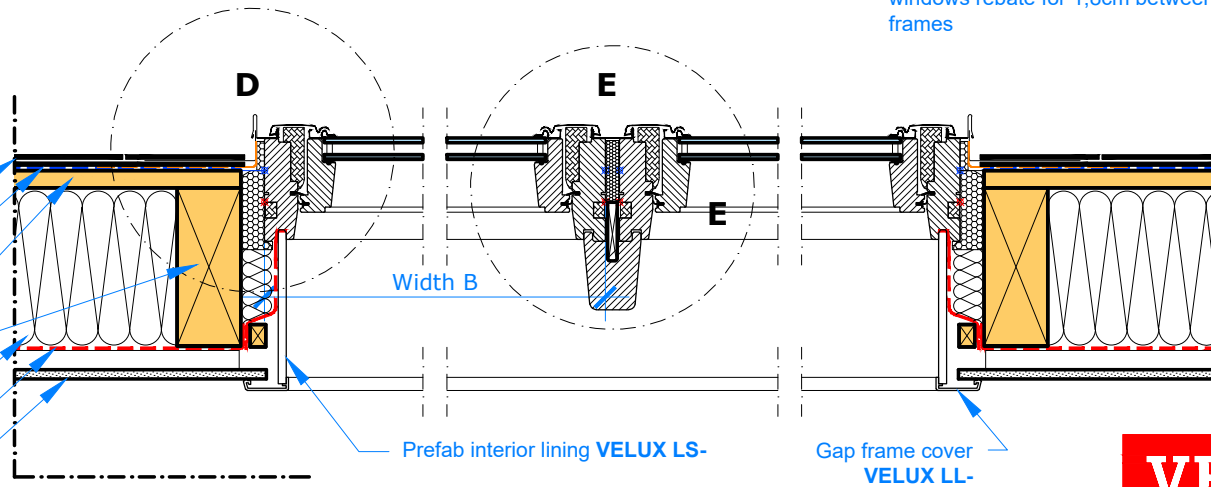
VELUX BFX Underfelt Collar

VELUX BDX Insulation frame for recessed installation

Thermal insulation, for example 1,8cm XPS

VELUX EBY Roof window 1,8cm frame gap support trimmer, top part is formed to fit the windows rebate for 1,8cm between windows frames

- Shingles
- Felt/breather membrane
- Wooden sheeting
- Rafter / trimmer
- Thermal insulation
- Roof vapour barrier
- Interior lining, for example gypsum board



Section B-B / M10

Width B

Prefab interior lining VELUX LS-

Gap frame cover VELUX LL-

2/2

