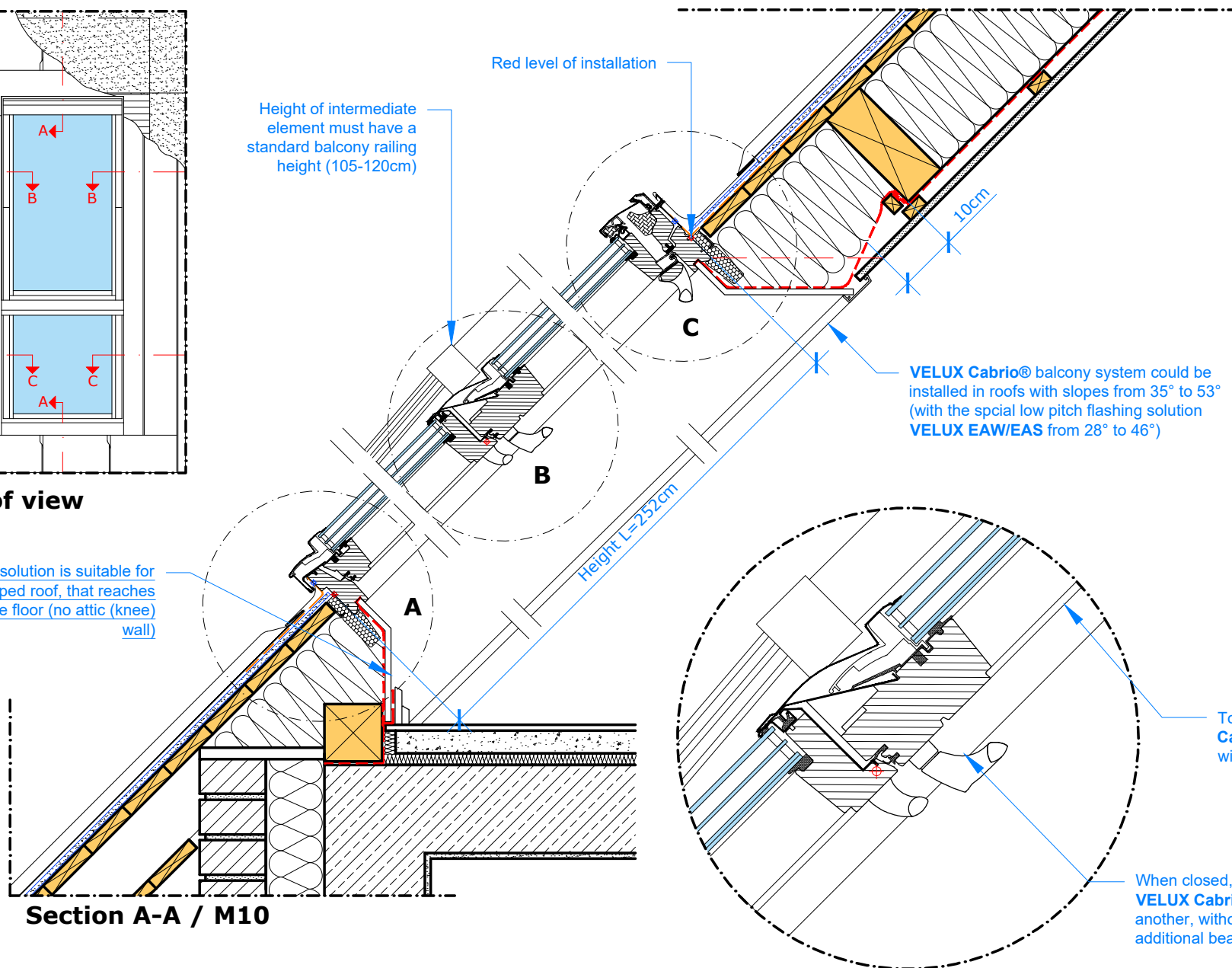


**Roof view**

Height of intermediate element must have a standard balcony railing height (105-120cm)

Red level of installation

The solution is suitable for a sloped roof, that reaches to the floor (no attic (knee wall))



**Section A-A / M10**

**Detail B M5**

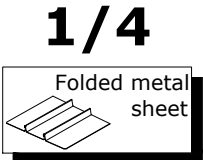
VELUX Cabrio® balcony system could be installed in roofs with slopes from 35° to 53° (with the special low pitch flashing solution VELUX EAW/EAS from 28° to 46°)

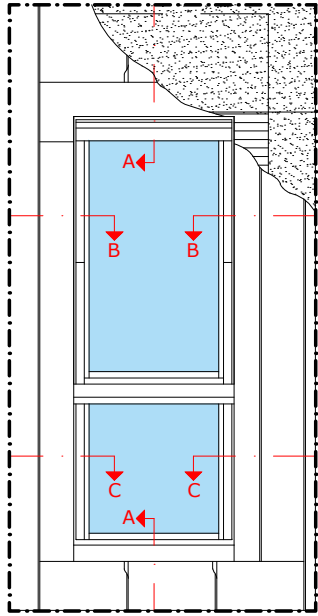
Top element of VELUX Cabrio® is a top hung window

When closed, top and bottom part of VELUX Cabrio® are fastened to one another, without the need of an additional bearing element

**VELUX Products**

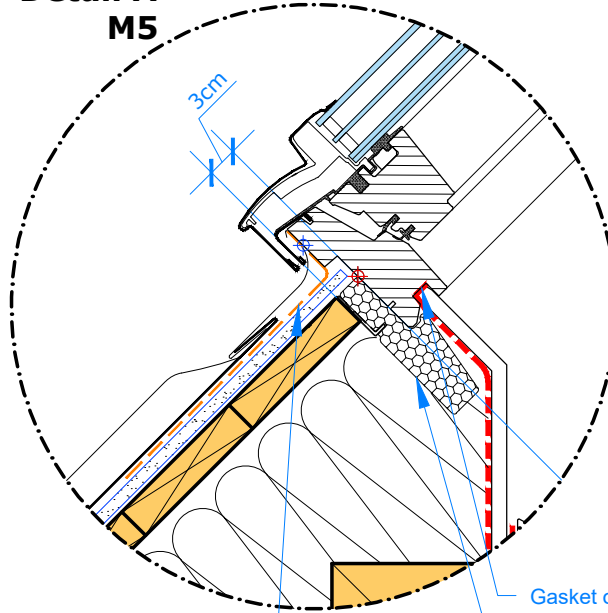
	GDL 35°-53°
	EDE P19
	BFX BDX
	BFX W-- BDX W--
	LS- BBX
	LL- BBX



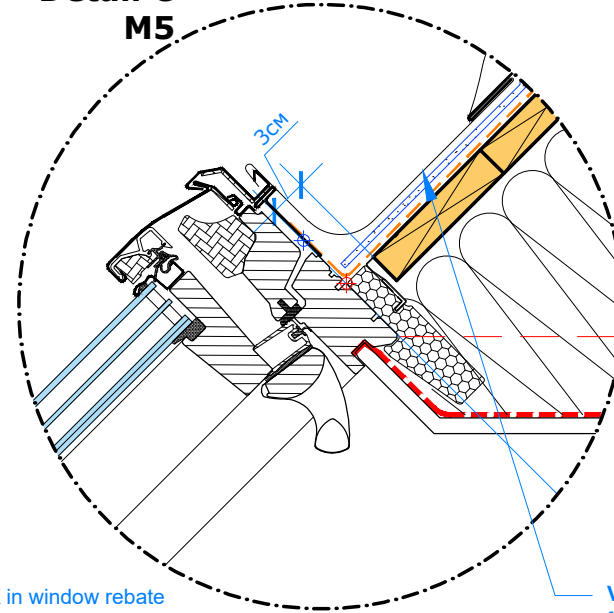


**Roof view**

**Detail A  
M5**



**Detail C  
M5**



VELUX BFX Underfelt Collar

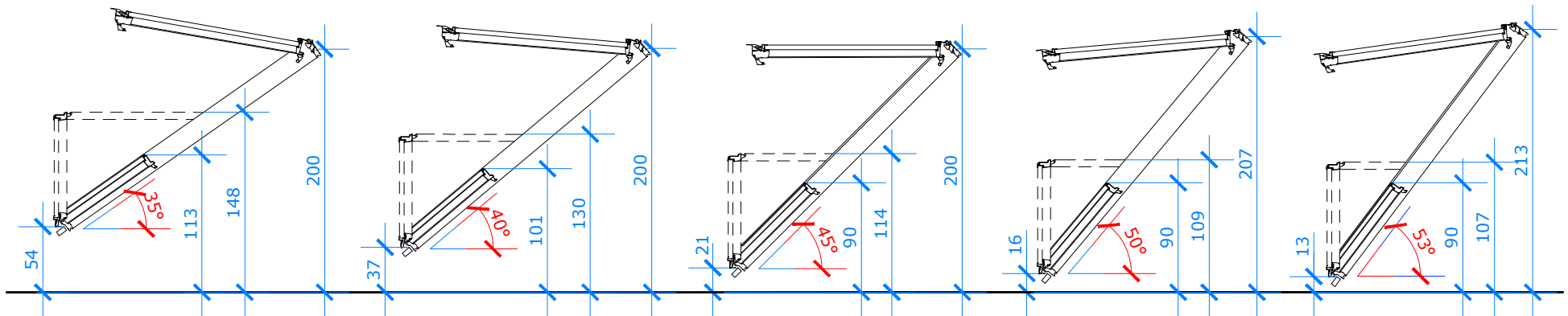
Gasket on BBX in window rebate

Insulation frame VELUX BDX

VELUX EDE Aluminum flashing for flat and metal roof coverings with standing seam

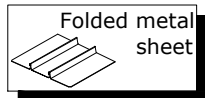
**VELUX Products**

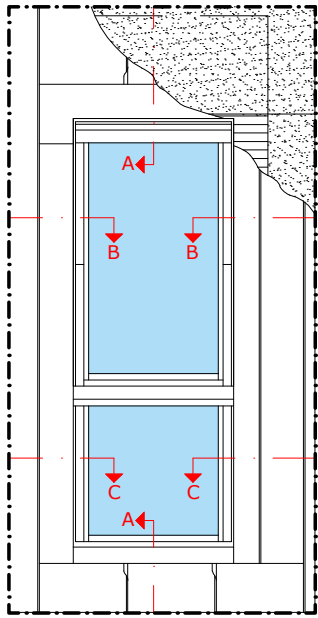
	GDL 35°-53°
	EDE P19
	BFX BDX
	BFX W-- BDX W--
	LS- BBX
	LL- BBX



**2/4**

**Recommended installation height for different roof slopes / M100**





**Roof view**

Red level of installation

VELUX Cabrio® balcony system is fixed with steel brackets on red level: two at the top, two on each side and two at the bottom by using predrilled fixing points in the window frame

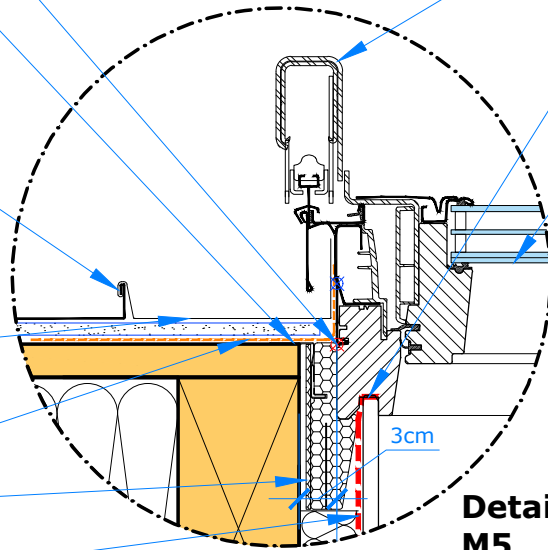
The connection between VELUX EDE flashing and roof covering could be done with a standing seam

Aluminum flashing for flat and metal roof coverings VELUX EDE

VELUX BFX Underfelt Collar

VELUX BDX Insulation frame

VELUX Vapour barrier BBX



**Detail D M5**

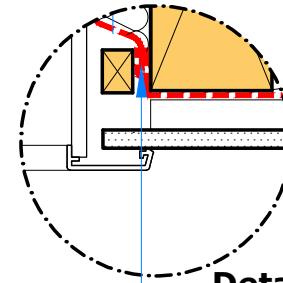
Site railing - when closing VELUX Cabrio® balcony system the railing on both sides rests back on both sides of the window frame

Gasket on BBX in window rebate

When opened, the bottom part of VELUX Cabrio® balcony system becomes glazed railing

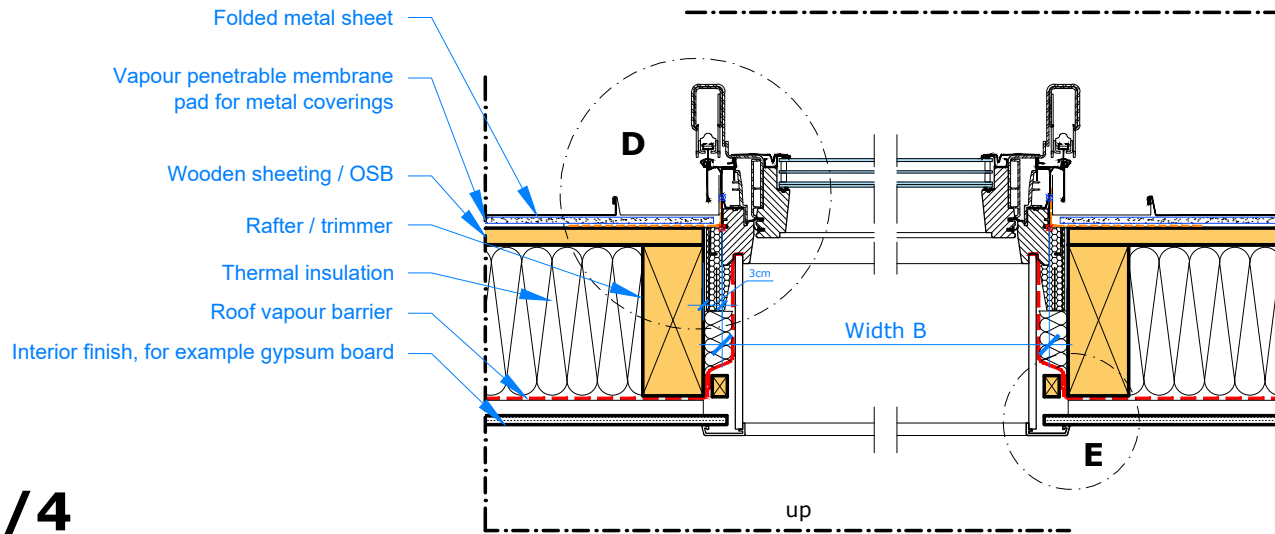
**VELUX Products**

	GDL 35°-53°
	EDE P19
	BFX BDX
	BFX W-- BDX W--
	LS- BBX
	LL- BBX



**Detail E M5**

Vapor-tight joint with VELUX BBX tape and a fixing batten



**Section C-C / M10**

Folded metal sheet

Vapour penetrable membrane pad for metal coverings

Wooden sheeting / OSB

Rafter / trimmer

Thermal insulation

Roof vapour barrier

Interior finish, for example gypsum board

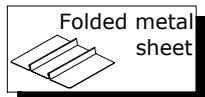
Width B

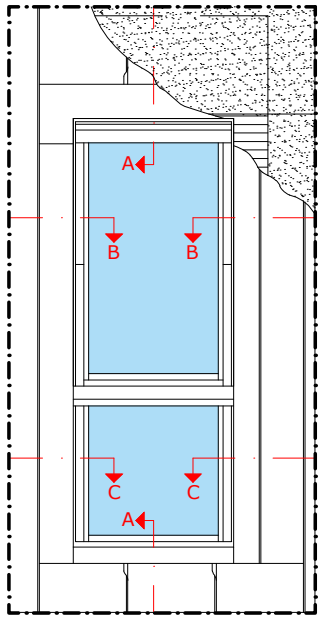
up

Window sizes, outer sizes of window frames in cm

GDL_66	B x L
PK19	94 x 252
SK19	114 x 252

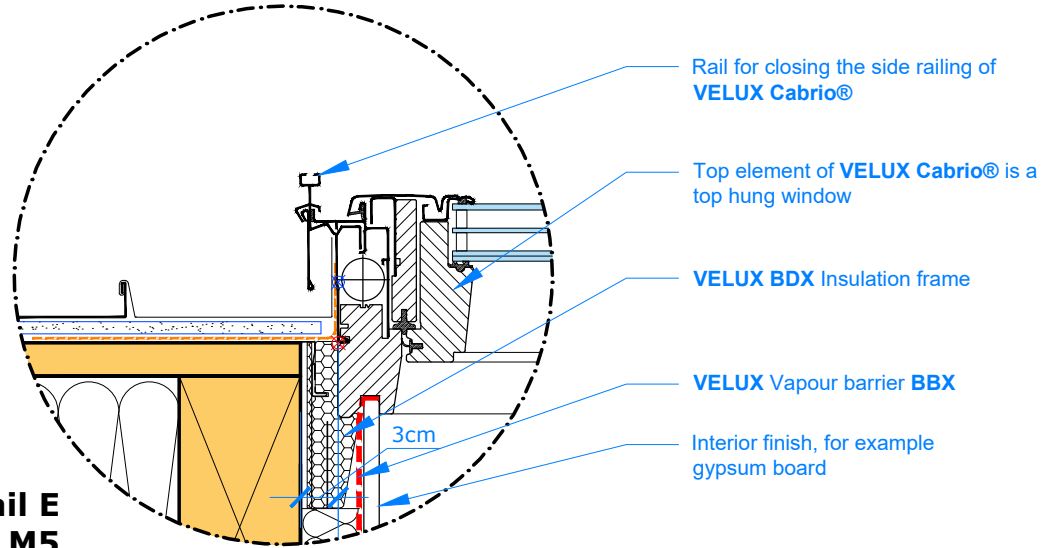
**3/4**





**Roof view**

**Detail E  
M5**



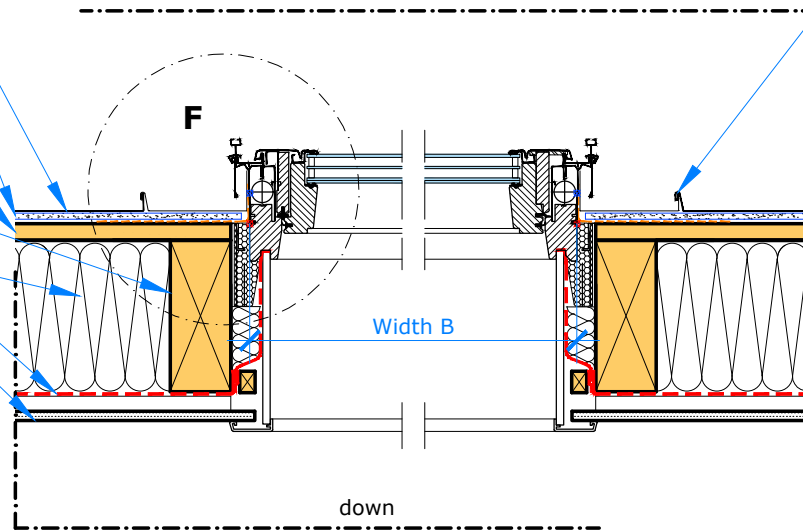
- Rail for closing the side railing of **VELUX Cabrio®**
- Top element of **VELUX Cabrio®** is a top hung window
- VELUX BDX** Insulation frame
- VELUX** Vapour barrier **BBX**
- 3cm
- Interior finish, for example gypsum board

**VELUX Products**

- GDL 35°-53°
- EDE P19
- BFX BDX
- BFX W-- BDX W--
- LS-BBX
- LL-BBX

If the roof covering is metal - it is important to select a suitable flashing material for the **VELUX** roof window - if the material is copper or zinc - the flashing must be the same material

- Metal roof covering / folded metal sheet
- Vapour penetrable membrane pad for metal coverings
- Wooden sheeting / OSB
- Rafter / Trimmer
- Thermal insulation
- Roof vapour barrier
- Interior finish, for example gypsum board

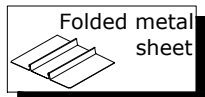


**Section B-B / M10**

**Options for blind and shutters**

Interior solutions for light regulation			
Blackout blinds	●	●	●
Roller blinds	●	●	●
Pleated blinds	●	●	
Pleated blinds with "flying" manual operation	●		
Blackout energy blinds	●	●	
Venetian blinds	●	●	
Duo blackout blinds	●		
Outdoor solutions for heat regulation			
Awning blind	●	●	●
Roller shutter	●	●	●

**4/4**



● ● ●	Available with manual, electrical and solar powered operation
● ●	Available with manual and electrical operation
●	Available with manual operation

