

Roof view

The combination of sloped and vertical **VELUX** windows could be installed in roofs with a slope from 15° to 55°

Raingutter with a downpipe (part of the **VELUX EFW** flashing), required for combinations width >277cm

This solution is applicable for rooms under the roof with an attic (knee) wall

Please, consider project specific rainwater drainage from the middle gutter!

Fixing together the roof/felt membrane and **VELUX BFX** underfelt collar in the **VELUX** transverse draining gutter with the transverse clip








Red level of installation

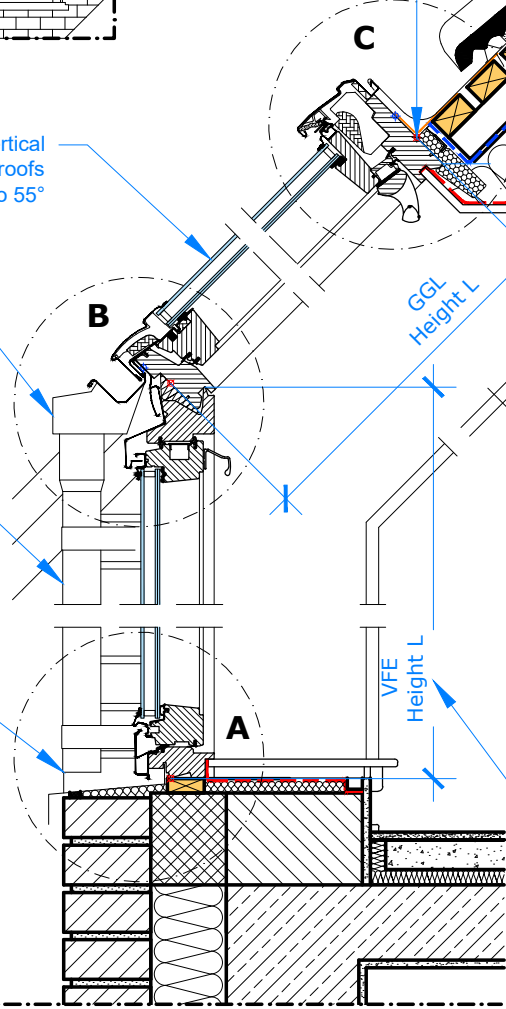
Roof vapour barrier

Interior finish, for example gypsum board

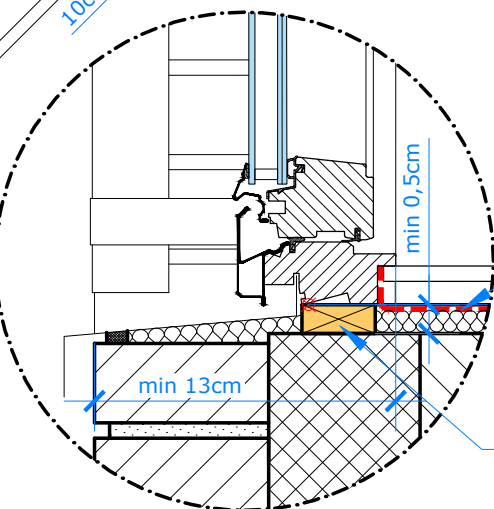
Vapour-tight joint with **VELUX BBX** tape and a fixing batten

VELUX Products

-  GGL
15°-90°
-  VFE
90°
-  EFW
15°-55°
-  BFX
-  BDX
2000
-  LS-
BBX
-  LVI



Section A-A / M10



Detail A M5

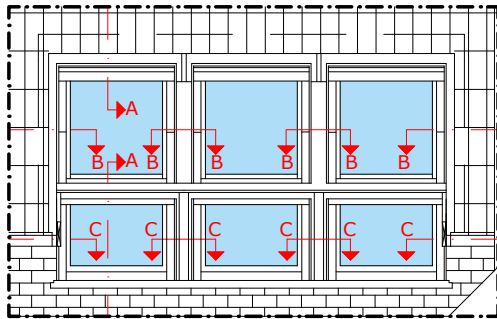
Vapour barrier around the window

The vertical window that can be opened **VELUX VFE** is mounted sidewise with the included in the packaging fixing brackets. At the bottom - base batten if needed.

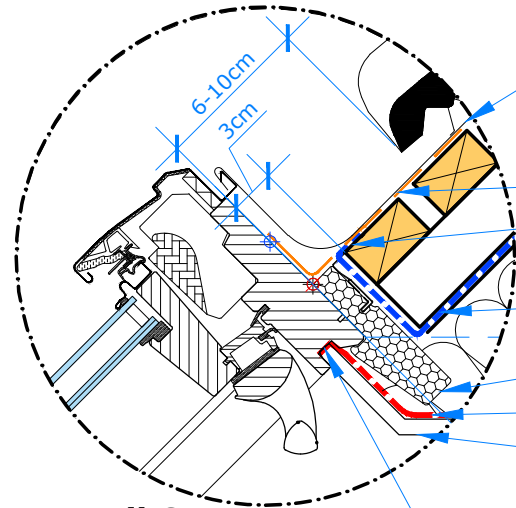
When choosing the height of the vertical window **VELUX VFE**, please note that the roof window is mounted to the outer roof layer and the **VELUX** vertical window height starts from the bottom edge of the roof window, whereas the thickness of the roof adds to the possible height of the vertical window. Thereby the **VELUX** vertical window could have approximately 40cm additional height in comparison to a standard facade window that must stay under the roof construction.

1/4





Roof view



**Detail C
M5**

Aluminum flashing **VELUX EFW** for installation of combinations of **VELUX** sloped and roof windows in roofs with roof coverings between 15 and 120mm profile height

VELUX BFX Underfelt Collar

Installation of the windows with installation brackets sidewise the battens forming the opening

Felt/ breather membrane

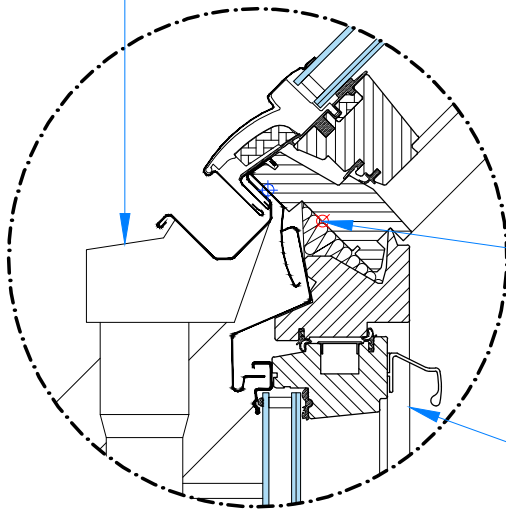
VELUX insulation frame **BDX**

VELUX Vapour barrier **BBX**

Interior finish, for example gypsum board

Gasket on **BBX** in window rebate

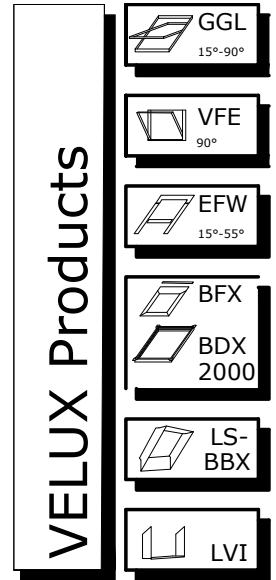
Raingutter with a downpipe (part of the **VELUX EFW** flashing), required for combinations width >277cm



**Detail B
M5**

The fixing of the vertical and the roof window is done by screwing together the two window frames.

Since 2019 there is a product range extension whereas except **VELUX** vertical windows with tilting operation there are also **VELUX** vertical windows available openable sidewise (left and right)



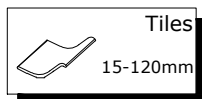
Window sizes, outer sizes of frames in cm

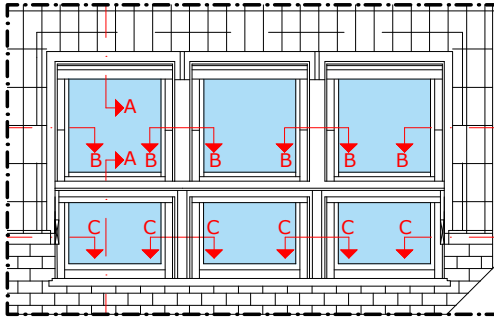
GGL_70	B x L
MK04	78 x 98
MK06	78 x 118
MK08	78 x 140
MK10	78 x 160
PK06	94 x 118
PK08	94 x 140
PK10	94 x 160
SK06	114 x 118
SK08	114 x 140
SK10	114 x 160
UK04	134 x 98
UK08	134 x 140
UK10	134 x 160

VFE_70

MK31	78 x 60
MK35	78 x 95
MK36	78 x 115
MK38	78 x 137
PK31	94 x 60
PK35	94 x 95
PK36	94 x 115
PK38	94 x 137
SK31	114 x 60
SK35	114 x 95
SK36	114 x 115
SK38	114 x 137
UK31	134 x 60
UK35	134 x 95
UK36	134 x 115
UK38	134 x 137

2/4



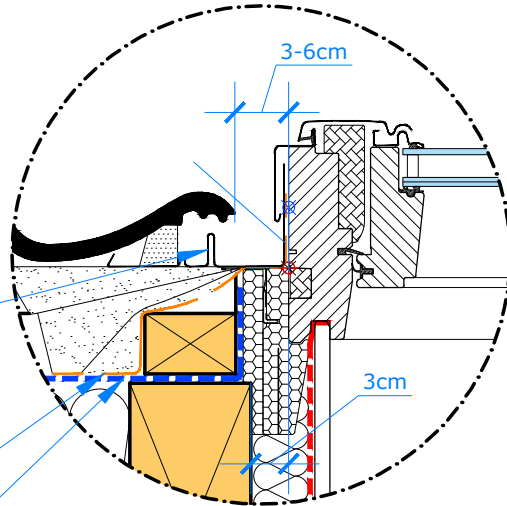


Roof view

Aluminum flashing **VELUX EFW** for installation of combinations of **VELUX** sloped and roof windows in roofs with roof coverings between 15 and 120mm profile height

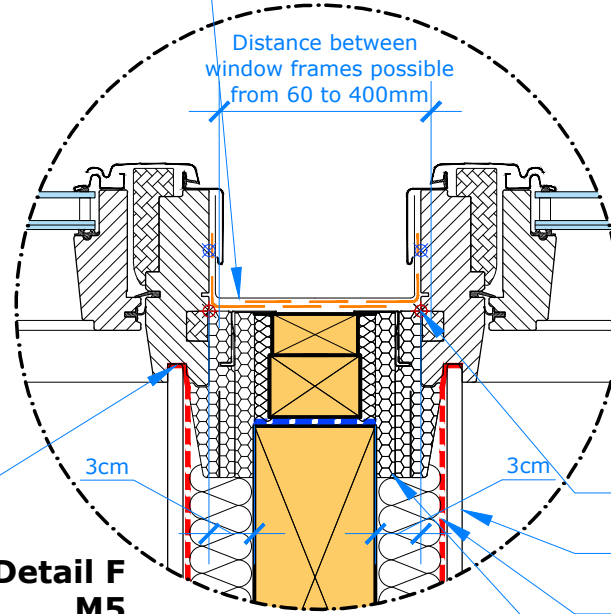
VELUX BFX Underfelt Collar

Felt/ breather membrane



**Detail D
M5**

Gasket on **BBX** in window rebate

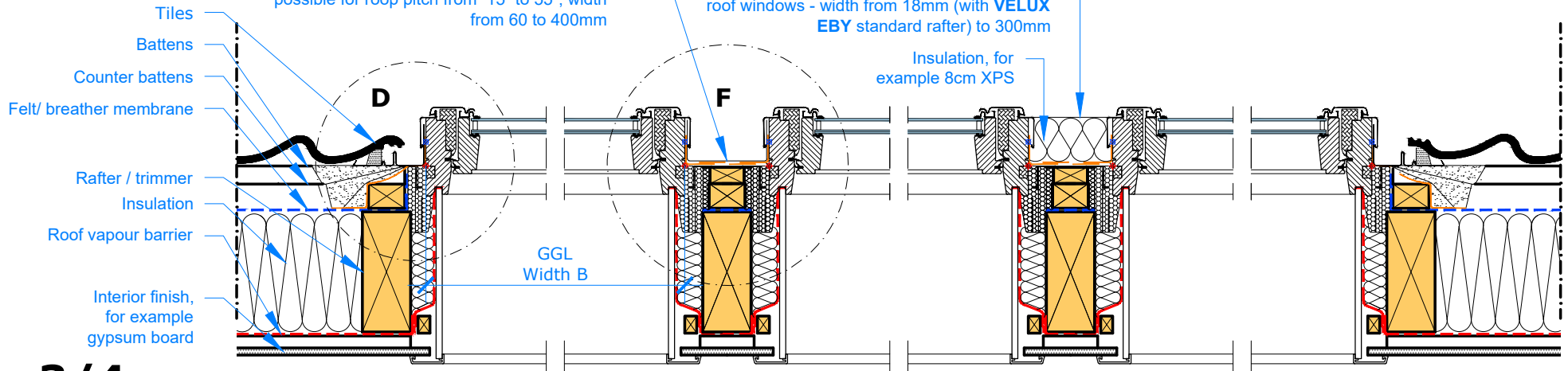


**Detail F
M5**

Raingutter with a downpipe (part of the **VELUX EFW** flashing), required for combinations width >277cm, installation possible for roof pitch from 15° to 55°, width from 60 to 400mm

Shallow middle part of the flashing between the roof windows - width from 18mm (with **VELUX EBY** standard rafter) to 300mm

Insulation, for example 8cm XPS



Section B-B / M10

VELUX Products

	GGL 15°-90°
	VFE 90°
	EFW 15°-55°
	BFX
	BDX 2000
	LS- BBX
	LVI

Red level of installation

Interior finish, for example gypsum board

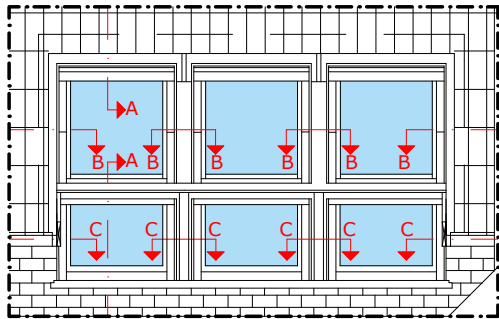
VELUX Vapour barrier **BBX**

VELUX BDX Insulation frame

3/4

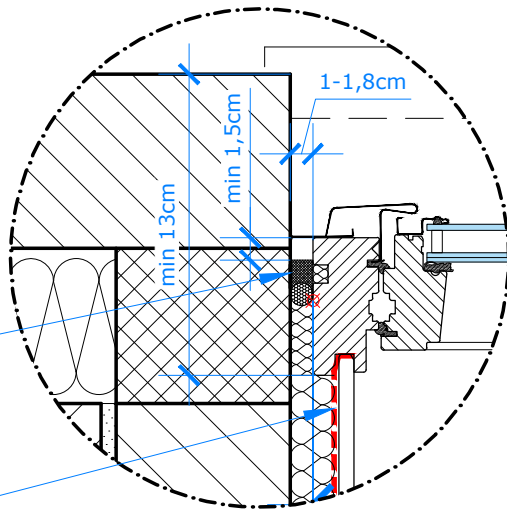
Tiles
15-120mm



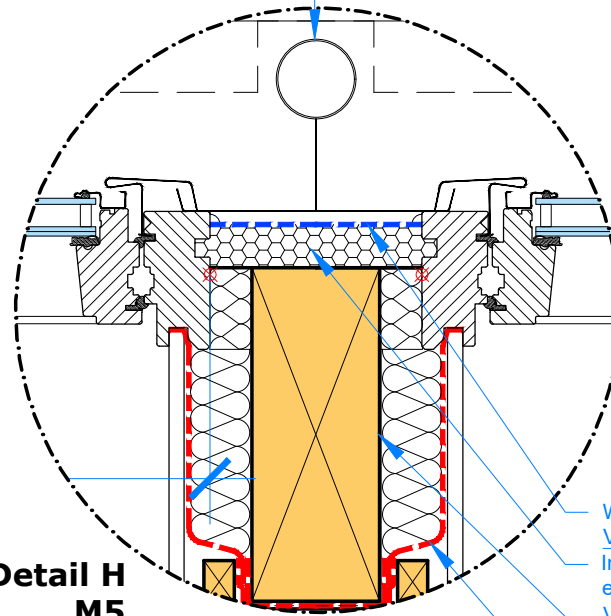


Roof view

Raingutter with a downpipe (part of the **VELUX EFW** flashing), required for combinations width >277cm



**Detail G
M5**



**Detail H
M5**

Elastic joint seal, for example silicon for outdoor use or felt/ breather tape

Vapour barrier

- VELUX Products**
- GGL 15°-90°
 - VFE 90°
 - EFW 15°-55°
 - BFX
 - BDX 2000
 - LS-BBX
 - LVI

Water proofing, non **VELUX**
 Insulation, for example 2cm XPS
 Vertical element, bearing, according a separate project approved by a structural engineer
 Vapour barrier

Façade brick (fixed to the bearing wall)

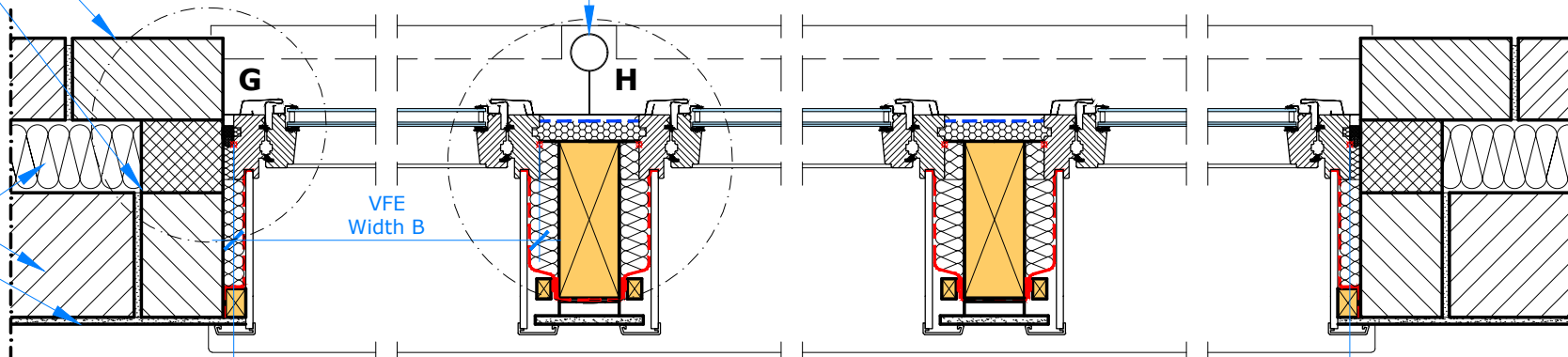
Structural element, bearing, for example wooden frame, lime sand brick, foam glass or similar

Insulation

Brickwall

Interior finish, for example gypsum board

Raingutter with a downpipe (part of the **VELUX EFW** flashing), required for combinations width >277cm



VFE Width B

Common width of the window combination

4/4



Section C-C / M10

