

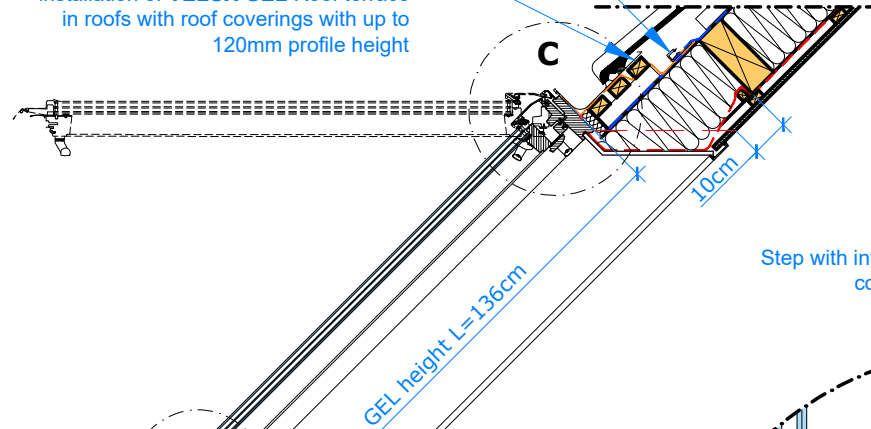
Roof view

Fixing together the roof/felt membrane and **VELUX BFX** underfelt collar in the **VELUX** transverse draining gutter with the transverse clip

Aluminum flashing **VELUX EEW** for installation of **VELUX GEL** Roof terrace in roofs with roof coverings with up to 120mm profile height

VELUX Products

- GEL/
35°-53°
VEA/
VEB/VAC
- LSB
LVI
BBX
- EEW
EEX
- BFX



Step with integrated convector

GEL height L=136cm

The vertical part of **VELUX GEL** roof terrace is available in only one size - with a height = 190cm. The position of the terrace must be well elaborated at an early design stage to avoid the need of additional steps in- or outdoors or a change in the roof construction!

VELUX EEX site affix for side railing

Recommended height between door step and terrace floor - 15cm!

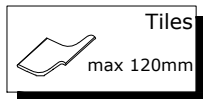
VEA, VEB, VEC Height L=109cm

- Terrace flooring
- Galvanized sheet metal
- Water proofing
- Vapour barrier

**Detail A
M5**

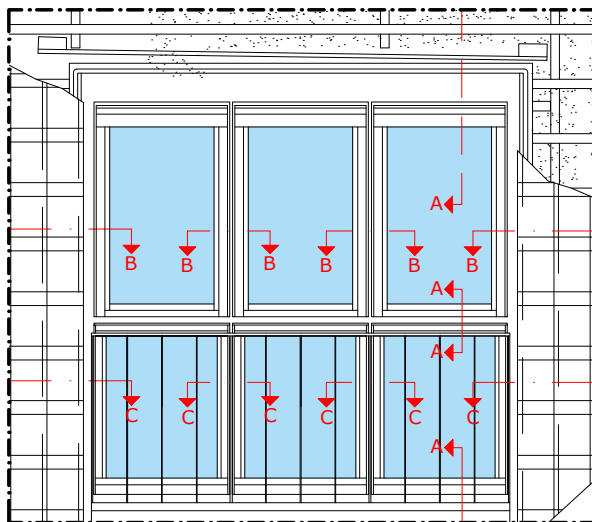
approx. 15cm

1/4



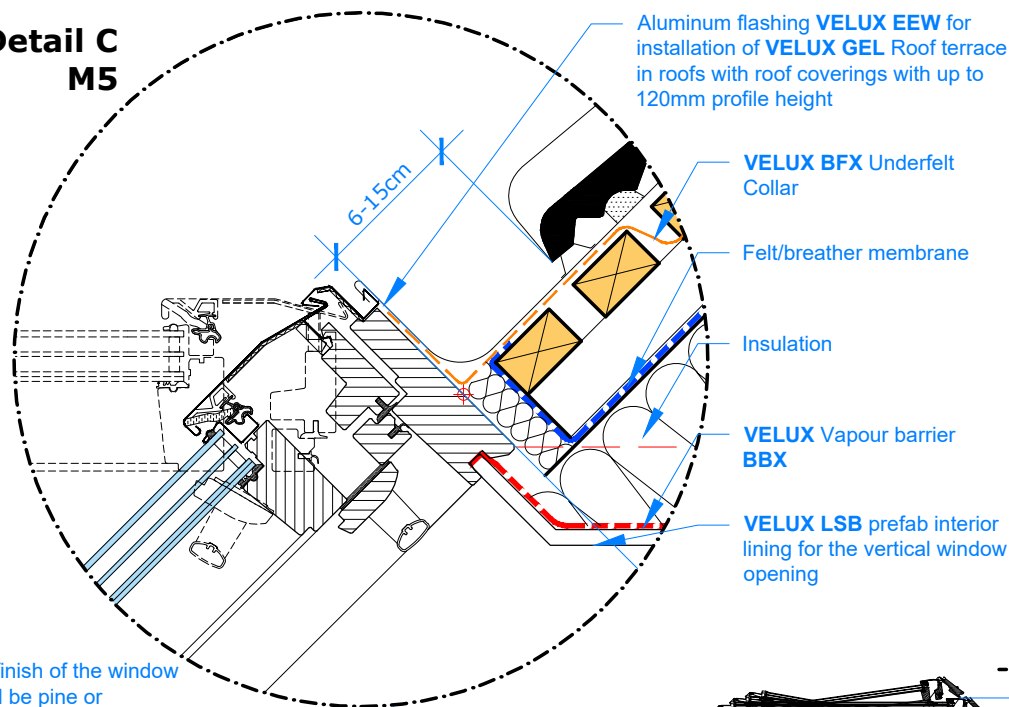
Section A-A / M20





Roof view

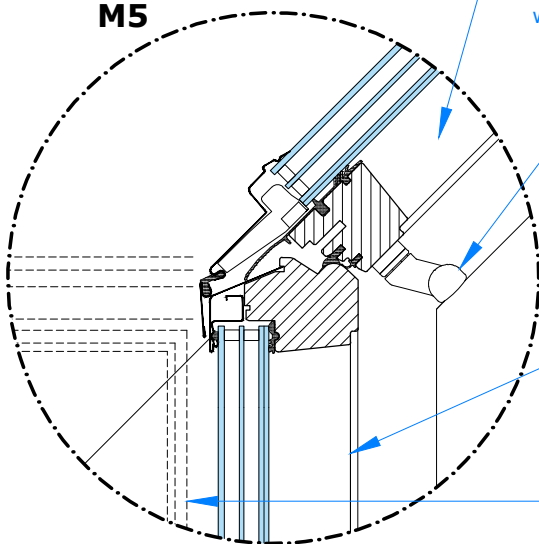
**Detail C
M5**



VELUX Products

- GEL/ 35°-53°
VEA/
VEB/VAC
- LSB
LVI
BBX
- EEW
EEX
- BFX

**Detail B
M5**

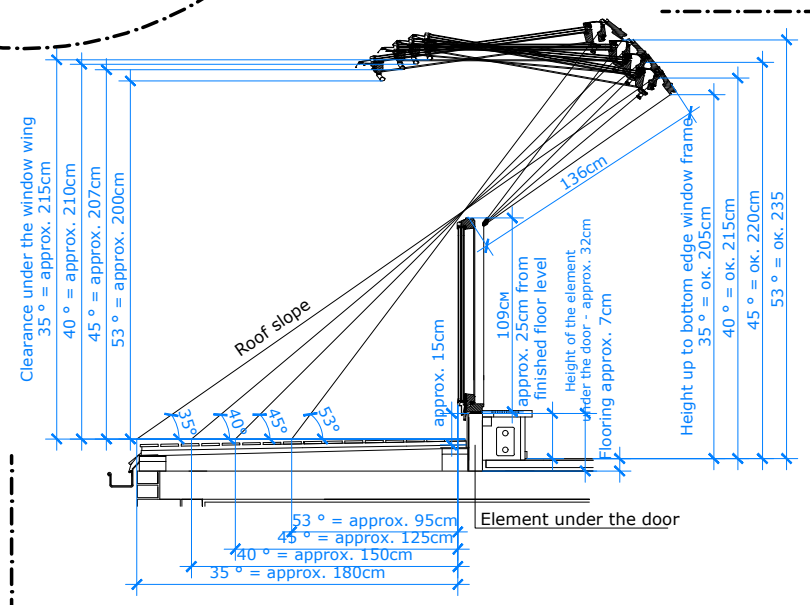


The interior finish of the window frames could be pine or white-painted

The top part of **VELUX GEL** roof terrace is operable with a handle at the bottom frame part, but it could be opened also through the middle hinge for cleaning.

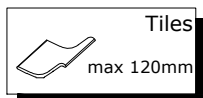
The bottom part could be openable outwards, to the right **VEA**, outwards to the left **VEB** or fixed **VEC**

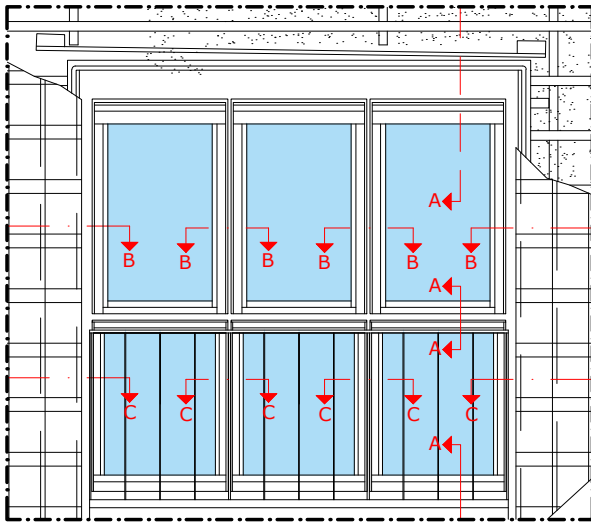
The opening of the bottom part is outwards, to the roof terrace



Scheme with height and width clearance with different roof slopes

2/4





Roof view

Aluminum flashing **VELUX EEW** for installation of **VELUX GEL** Roof terrace in roofs with roof coverings with up to 120mm profile height

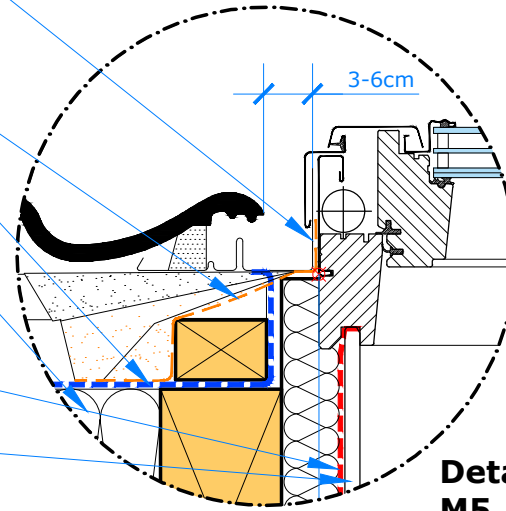
Underfelt collar **VELUX BFX**

Felt / breather membrane

Insulation

VELUX BBX vapour barrier

VELUX LSB prefab interior lining for the roof opening

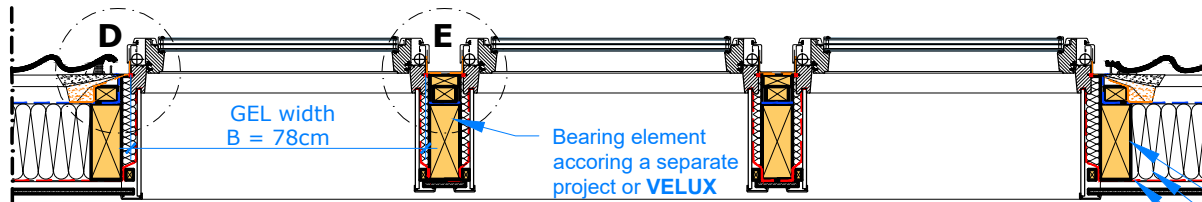


Detail D M5

VELUX Products

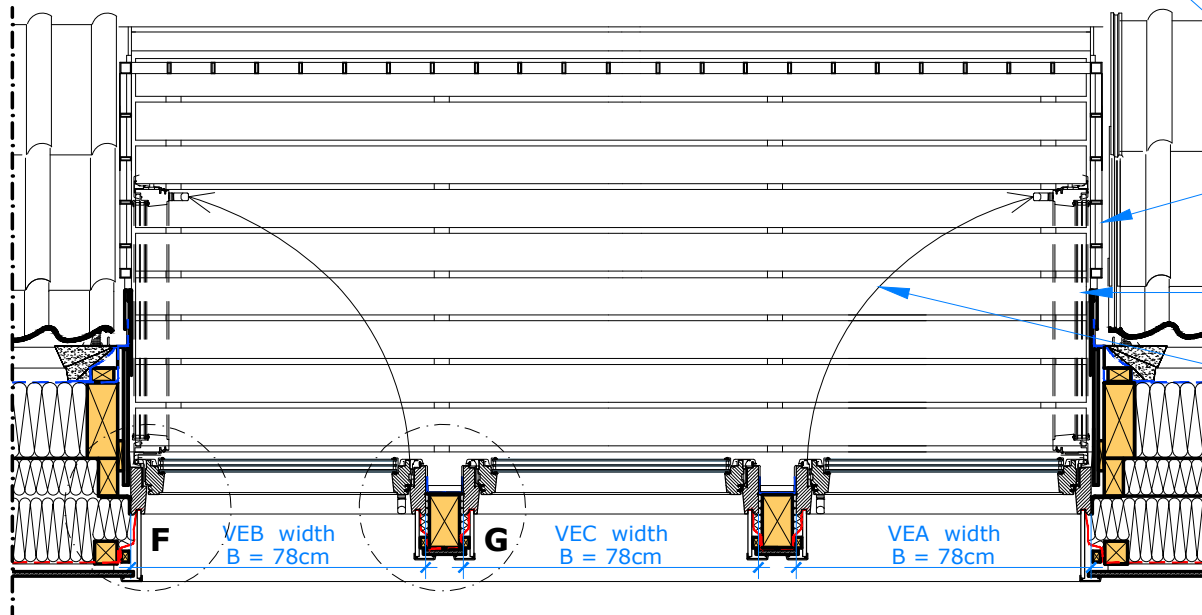
- GEL/ 35°-53°
VEA/
VEB/VAC
- LSB
LVI
BBX
- EEW
EEX
- BFX

Section B-B M10



Tiles
Battens
Counterbattens
Felt / breather membrane

Section C-C M10



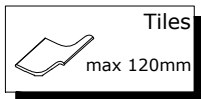
Rafter / Trimmer
Insulation
Roof vapour barrier

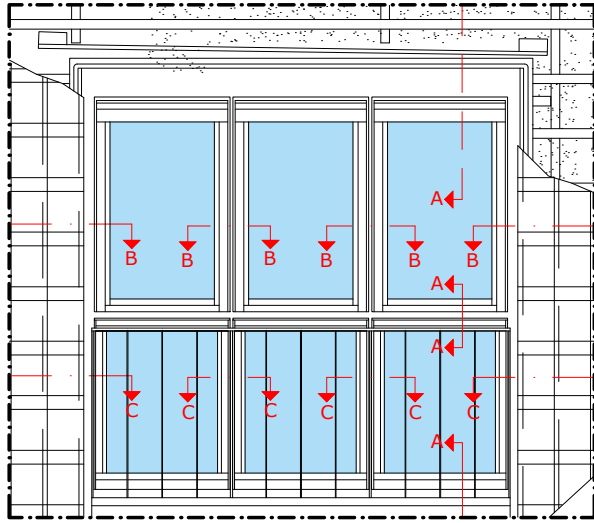
VELUX EEX site affix for side railing

The opening of the bottom part is outwards, to the roof terrace

It is optional to choose for only one of the combinations the bottom part to be openable

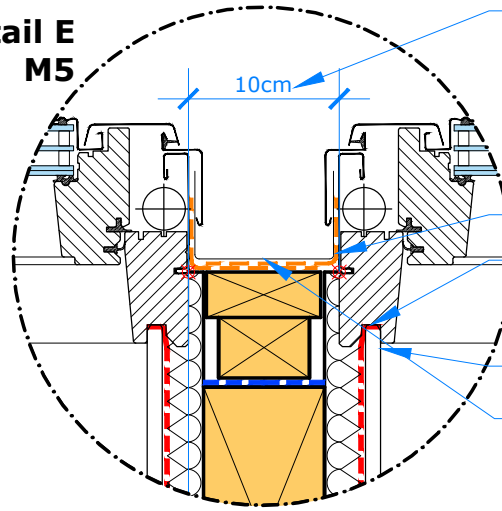
3/4





Roof view

Detail E
M5



The standard distance between windows frames in a combination of **VELUX GEL** roof terrace elements is 10cm, with **VELUX EBY** - standard bearing rafter, the distance is 1,8cm

VELUX BFX Underfelt Collar

Gasket on **BBX** in window rebate

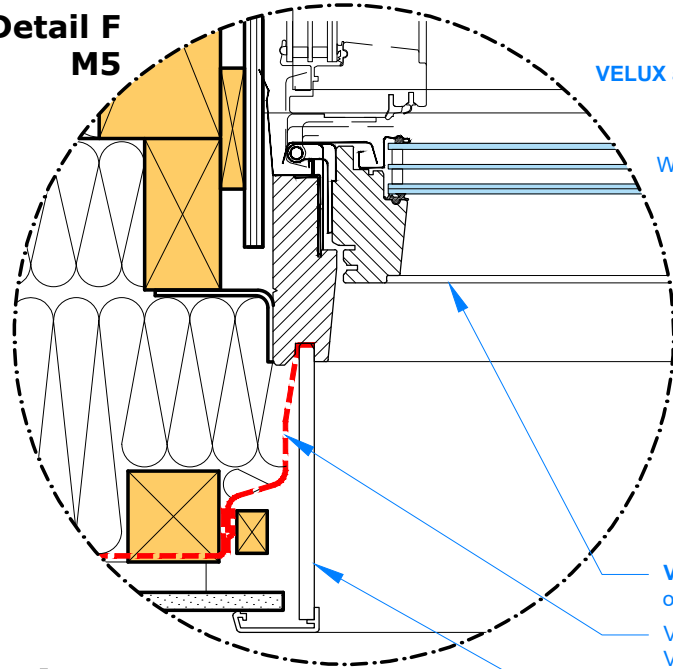
Prefab interior lining **VELUX LSB**

Aluminum flashing **VELUX EEW** for installation of **VELUX GEL** Roof terrace in roofs with roof coverings with up to 120mm profile height

VELUX Products

- GEL/ 35°-53° VEA/ VEB/VAC
- LSB LVI BBX
- EEW EEB
- BFX

Detail F
M5



VELUX aluminum flashing

Water proofing, non **VELUX!**

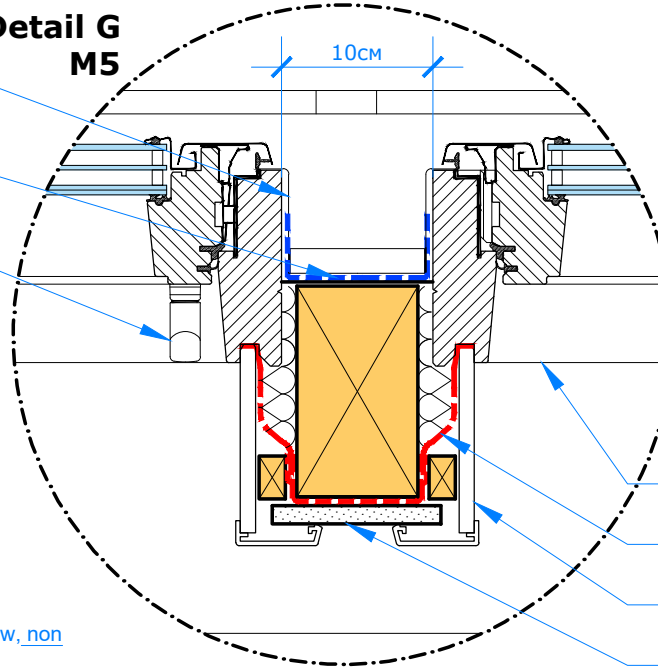
Handle to operate the wing of **VELUX VEB**

VELUX VEB, opens outwards to the left

Vapour barrier around window, non VELUX!

Prefab interior lining for the vertical wall opening **VELUX LVI**

Detail G
M5



10cm

1,8cm

VELUX EBY

VELUX VEC fixed bottom element

Vapour barrier around window, non VELUX!

Prefab interior lining **VELUX LVI**

Interior finish, non VELUX!

4/4

