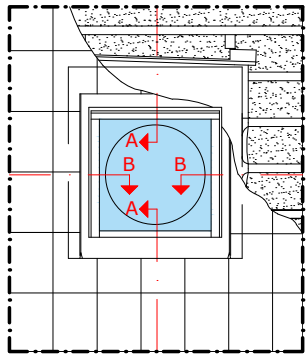
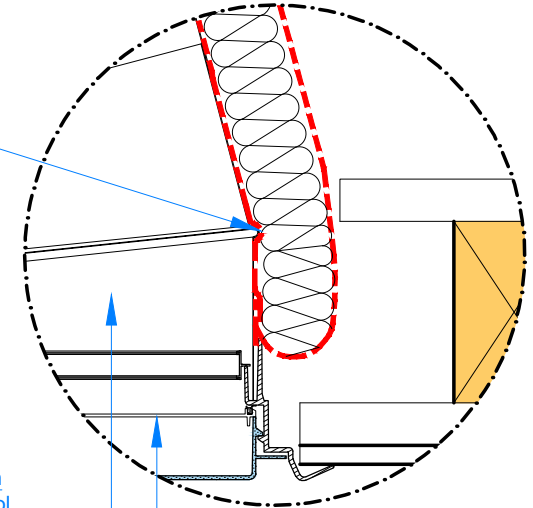
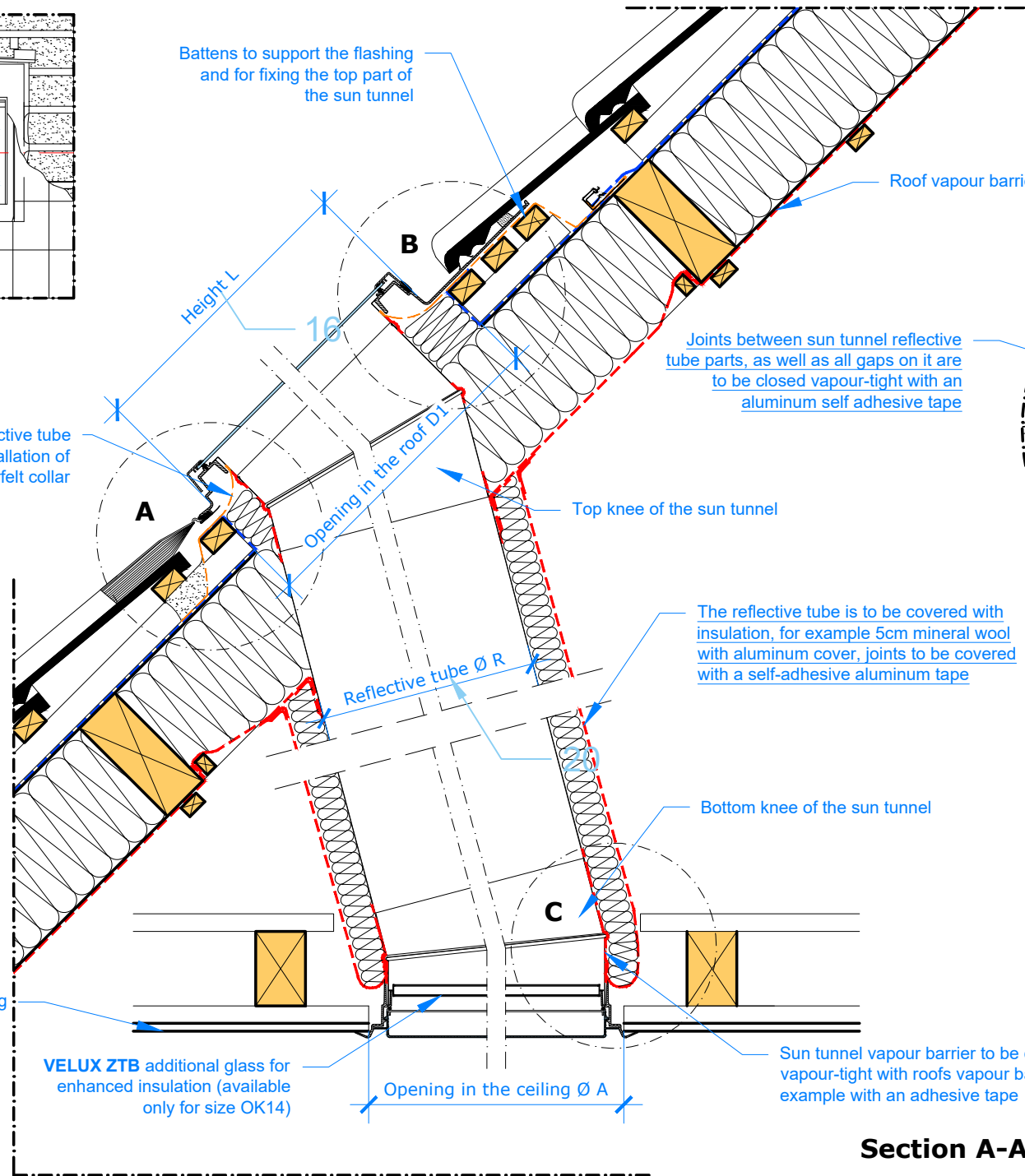


VELUX Products



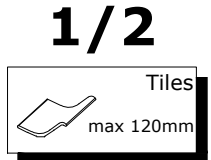
Roof view



Detail C
M5

Diffuser Edge Glow in white painted polycarbonate frame

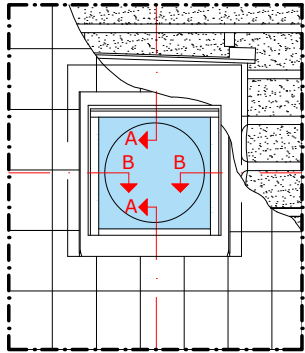
Reflective coating with interior of the tunnel provides a 98% internal reflection rate. Applicable for distances from roof to room ceiling between 100 and 170cm. Can be extended to distances up to 6m.



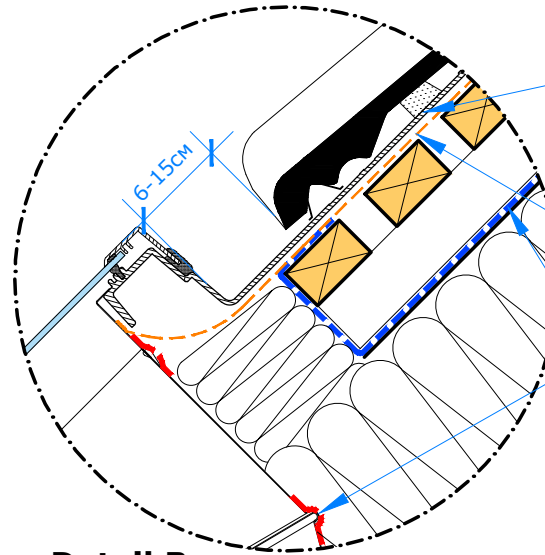
Section A-A / M10



VELUX Products

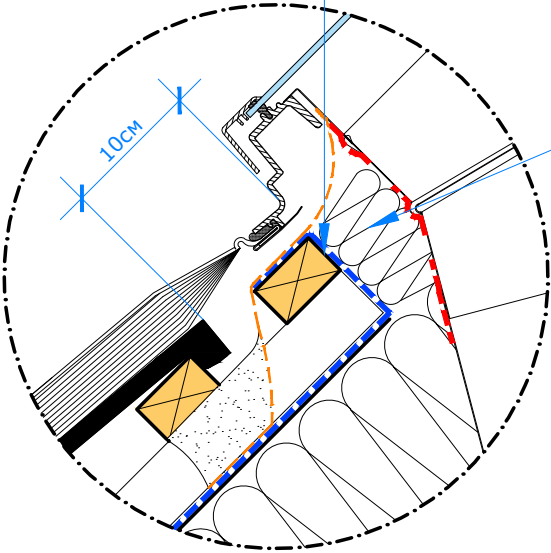


Roof view



**Detail B
M5**

Battens framing the opening



**Detail A
M5**

Roof felt/ breather membrane

Battens

Counter battens

Insulation

Vapour barrier

Integrated universal flashing (part of **VELUX TWR** sun tunnel set) for roof coverings with a profile height up to 120mm

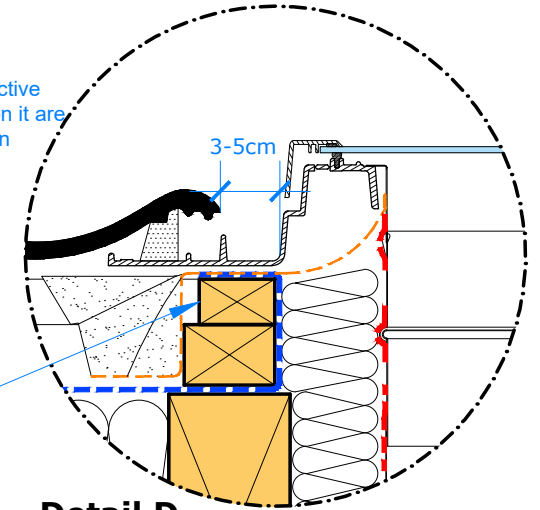
VELUX BDx - underfelt collar with a transverse gutter

Felt/ breather membrane

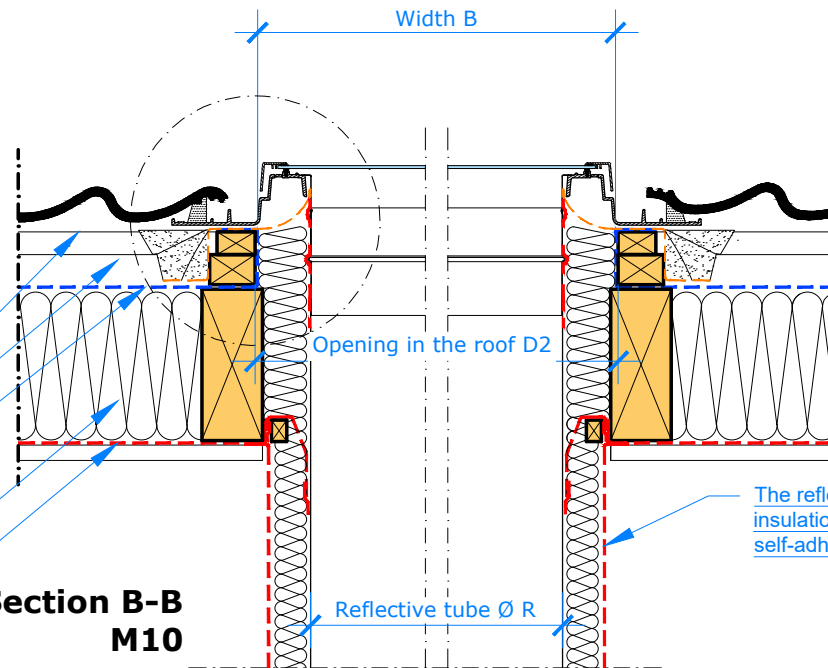
Joints between sun tunnel reflective tube parts, as well as all gaps on it are to be closed vapour-tight with an aluminum self adhesive tape

The insulation of the tube to be made up to the battens level

Battens framing the opening



**Detail D
M5**



**Section B-B
M10**

Reflective tube Ø R

Opening in the roof D2

The reflective tube is to be covered with insulation, joints are to be covered with a self-adhesive aluminum tape

Outer size TWR	B x L	D1 x D2	Ø R	Ø A
Opening in the roof	D1 x D2			
Diameter of the tube	Ø R			
Opening in the ceiling	Ø A			
TWR	B x L	D1 x D2	Ø R	Ø A
0K10	36 x 36	36-42 x 40	25	30,5
0K14	47 x 47	46-52 x 50	35	41

2/2

